

FR-7N2005

5x10/100/1000Base-TX



Brief introduction

FR-7N2005 is a new generation Industrial Media Converter with 5-Port 10/100/1000Base-TX that provide stable and reliable Ethernet transmission offered by Fiberroad, with high quality design and reliability. It is positioning in the broadband network intervention market, to offer and realize Ethernet data exchange, convergence and long-distance optical transmission with efficient bandwidth and reliable fiber optic network solutions for users. The Industrial Media Converter complies with various characteristics such as mini size, no fan, low power consumption, high reliability and stability, and easy to maintain.

FR-7N2005 can offer redundant mechanisms for critical applications that need always-on connections. It can also operate either at standard operating temperature range -40 to 75°C. Housed in rugged DIN rail or wall mountable IP40 enclosures, these switches are perfect choices for harsh environments, such as industrial networking, intelligent transportation systems (ITS) and are also suitable for many military and utility market applications where environmental conditions exceed commercial product specifications.

Features

- > 5x10/100/1000Base-TX
- > Support Auto-MDIX, and full/half duplex self-negotiation mode
- > Provide SC/FC/ST/LC interface fiber port, support single/dual fiber transmission
- > Support 10Kbytes giant frame, compatible with various extension protocol
- > 4K MAC address table
- > Support IEEE802.3az energy efficient Ethernet technology
- > Support IPv6 Protocol
- > Electric 8KV surge protection, easy to use in outdoor environment
- > Complete status indicator, working state at a glance
- > Power input polarity protection design, no worry about wrong operation
- > Metal case, no fan design
- > Installation method: DIN trail /Wall mounting

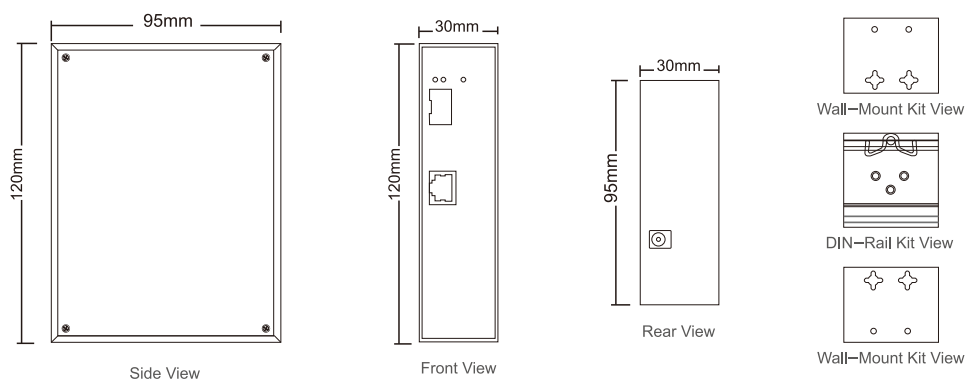
Specification

Physical Port	
RJ45 port and speed	5x10/100/1000Base-TX
Parameters	
Ethernet standards	IEEE802.3 IEEE802.3u IEEE802.3z IEEE802.3ab IEEE802.3x IEEE802.3az IEEE802.3Qad IEEE802.3ah IEEE802.1X IEEE802.1Q IEEE1588
Packet buffer	1M
Maximum Packet length	Up to 10K
MAC address table	4K
Transmission mode	Store and Forward (full/half duplex mode)
Exchange property	Delay time: < 7μs Backplane bandwidth: 10Gbps; Packet forwarding rate: 7.44Mpps
PoE (Optional)	
PoE standard	5x IEEE 802.3af/IEEE 802.3at PoE
Power budget	Max. PoE output power budget 30W

Specification

LED Indicator	
Power	Connect-always
RJ45	Link/Act: connect-always; data exchange-twinkle
Fiber	Link/Act: connect-always; data exchange-twinkle
Power Information	
Power access mode	Phoenix terminal, DC seat
Redundant power input	DC 9-56V
Overload protection	Yes
Power reverse	Support
Power consumption	Full-load<15W
Physical Property	
Protection grade	IP40 aluminum case
Cooling mode	Natural cooling, no fan design
Dimensions	120mm x 95mm x 30mm (L x W x H)
Installation mode	DIN rail/wall-mountable
Weight	400g (With PoE : 450g)
Working Environment	
Operating Temperature	-40°C~75°C
Operating Humidity	5%~90% non-condensing
Storage Temperature	-40°C~85°C
Warranty	
MTBF	500,000 hours
Defects Liability Period	3 year warranty, lifetime technical support
Certification Standard	
EMC	FCC Part15 Class A CE-EMC/LVD RoHS EN61000-4-2 (ESD), EN61000-4-3 (RS) EN61000-4-4 (EFT), EN61000-4-5 (Surge) EN61000-4-6 (CS), EN61000-4-8 EN61000-4-11
Vibration	IEC60068-2-6 -40~75°C High and Low Temperature Test Ip40 Protection Test

Dimensions



Package List

- 1 x Fiber Switch
- 1 x Rail Mounting Kit
- 1 x Wall Mount Kit
- 1 x Warranty Card

Application



Order Information

Model Number	Port Description
FR-7N3101	Industrial Ethernet Switch, 1 x 10/100/1000M Base-TX + 1 x 10/100/1000M Base-FX SFP
FR-7N3102	Industrial Ethernet Switch, 2 x 10/100/1000M Base-TX + 1 x 10/100/1000M Base-FX SFP
FR-7N2005	Industrial Ethernet Switch, 5 x 10/100/1000M Base-TX
FR-7N3104	Industrial Ethernet Switch, 4 x 10/100/1000M Base-TX + 1 x 10/100/1000M Base-FX SFP
FR-7N3101P	Industrial Ethernet Switch, 1 x 10/100/1000M Base-TX + 1 x 10/100/1000M Base-FX SFP/ 1xPoE
FR-7N3102P	Industrial Ethernet Switch, 2 x 10/100/1000M Base-TX + 1 x 10/100/1000M Base-FX SFP/ 2xPoE
FR-7N2005P	Industrial Ethernet Switch, 5 x 10/100/1000M Base-TX/ 5xPoE
FR-7N3104P	Industrial Ethernet Switch, 4 x 10/100/1000M Base-TX + 1 x 10/100/1000M Base-FX SFP/ 4xPoE

*Fiber port can add 1*9 module