

FR-7M3008

8x10/100/1000Base-TX



FR-7M3008 is a new generation Industrial Managed Switch 8Port 10/100/1000Base-TX that provide stable and reliable Ethernet transmission offered by Fiberroad, with high quality design and reliability. It is positioning in the broadband network intervention market, to offer and realize Ethernet data exchange, convergence and long-distance optical transmission with efficient bandwidth and reliable fiber optic network solutions for users. The Industrial Managed Switch complies with various characteristics such as mini size, no fan, low power consumption, high reliability and stability, and easy to maintain.

FR-7M3008 can offer redundant mechanisms for critical applications that need always-on connections. It can also operate either at standard operating temperature range -40 to 75°C. Housed in rugged DIN rail or wall mountable IP40 enclosures, these switches are perfect choices for harsh environments, such as industrial networking, intelligent transportation systems (ITS) and are also suitable for many military and utility market applications where environmental conditions exceed commercial product specifications.



Features

- 8x10/100/1000Base-TX
- Support Auto-MDIX, and full/half duplex self-negotiation mode
- Provide SC/FC/ST/LC interface fiber port, support single/dual fiber transmission
- Support 10K bytes giant frame, compatible with various extension protocol
- 8K MAC address table
- Support IEEE802.3az energy efficient Ethernet technology
- Support IPv6 Protocol
- Electric 4KV surge protection, easy to use in outdoor environment
- Complete status indicator, working state at a glance
- Power input polarity protection design, no worry about wrong operation
- Aluminum case, no fan design
- Installation method: DIN trail /Wall mounting

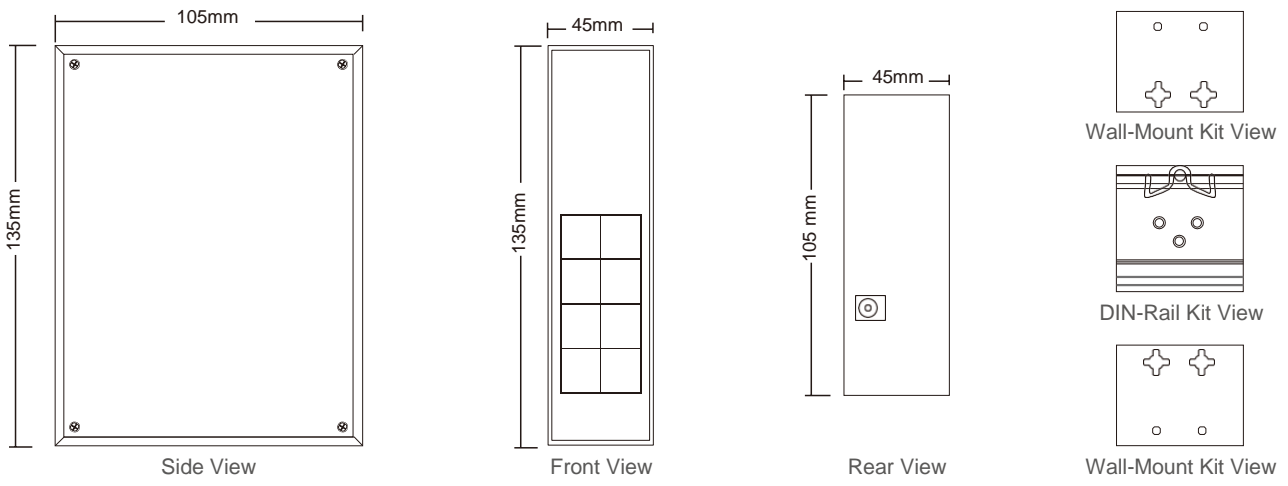
Specification

Physical Port	
RJ45 port and speed	8x10/100/1000Base-TX
Parameters	
Ethernet standards	IEEE802.3 IEEE802.3u IEEE802.3z IEEE802.3ab IEEE802.3x IEEE802.3az IEEE802.3Qad IEEE802.3ah IEEE802.1X IEEE802.1Q IEEE1588
Packet buffer	4Mbits
Maximum packet length	Up to 10K
MAC address table	8K
Transmission mode	Store and Forward(full/half duplex mode)
Exchange property	Delay time: < 7µs Backplane bandwidth: 20Gbps

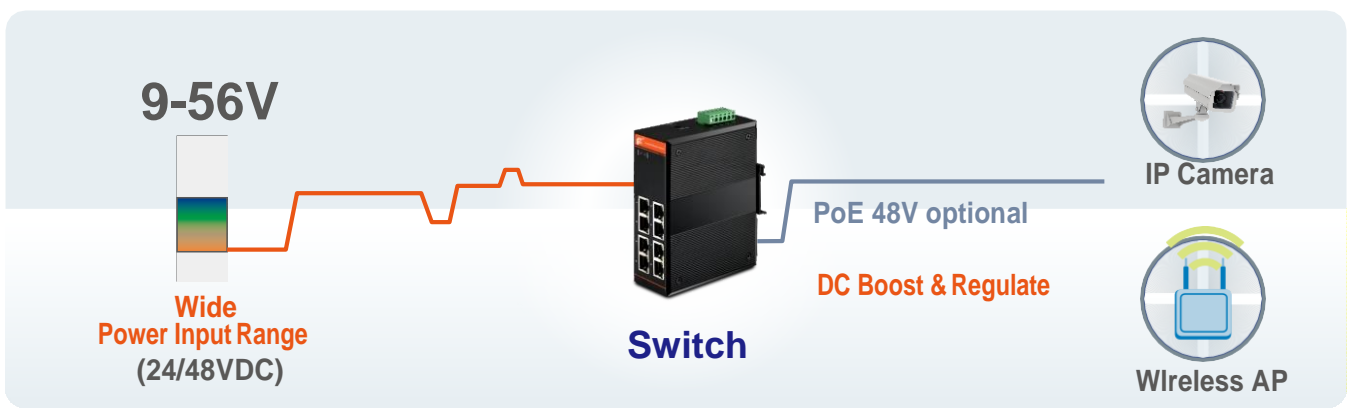
LED Indicator	
Power	Connect-always
RJ45	Link/Act: connect-always; data exchange-twinkle Speed light: 100Mbps-always; 10Mbps-twinkle
Power Information	
Power access mode	Phoenix terminal, DC seat
Redundant power input	DC 9-56V
Overload protection	Yes
Power reverse	Support
Power consumption	Full-load<15W
Physical Property	
Protection grade	Ip40 aluminum case
Cooling mode	Natural cooling, no fan design
Dimensions	135mm x 105mm x 45mm (L x W x H)
Installation mode	DIN trail/wall-mountable
Net Weight	650g
Working Environment	
Operating Temperature	-40°C~75°C
Operating Humidity	5%~90% non-condensing
Storage Temperature	-40°C~85°C
Warranty	
MTBF	500,000 hours
Defects Liability Period	3 year warranty, lifetime technical support
Certification Standard	
EMI	FCC Part15 Subpart B Class A,EN 55022 Class A
EMS	EN61000-4-2(ESD), EN61000-4-3(RS), EN61000-4-4(EFT), EN61000-4-5(Surge), EN61000-4-6(CS), EN61000-4-8, EN61000-4-11
Collision	IEC60068-2-27
Drop	IEC60068-2-32
Vibration	IEC60068-2-6
Safety grade	EN60950-1

Software Features	Redundant network: STP/RSTP/MSTP
	Multicast: IGMP Snooping V1/V2
	VLAN: IEEE 802.1Q 4K VLAN, QinQ
	Link Aggregation: manual
	Management Function: CLI/WEB/SNMP V.3
	Diagnostic Maintenance: Port mirroring, Ping
	Alarm management: 1 way relay alarm output, RMON, SNMP Trap
	Security: DHCP Snooping, User hierarchical management
Data control Port-based ingress/egress speed limit, Full duplex IEEE 802.3x, half duplex back-pressure flow control. Broadcast storm suppression, Unknown-Multicast suppression and Unknown-Unicast suppression	

Dimensions



Application



Order Information

Model Number	Port Description
FR-7M3008	Gigabit Industrial Switch, Managed, 8x10/100/1000Base-TX
FR-7M3008P	Gigabit Industrial Switch, Managed, 8x10/100/1000Base-TX / 8xPoE

*Rj45 port with PoE optional.

