

Mport3101-W

1-port RS232/RS485/RS422 Serial to Wi-Fi/Ethernet Server

Product description

Mport3101-W is a Wi-Fi serial server product, which provides a solution for transparent transmission or protocol transmission between RS-232/485/422 interface devices and Wi-Fi network or wired network. Supports serial-to-Wi-Fi, serial-to-Ethernet, and Ethernet-to-Wi-Fi functions, and can convert serial (RS-232/485/422) into TCP/IP network interface, making The serial device can easily and quickly connect to the TCP/IP network, realizing the interconnection and intercommunication between the serial and the TCP/IP network.



Features:

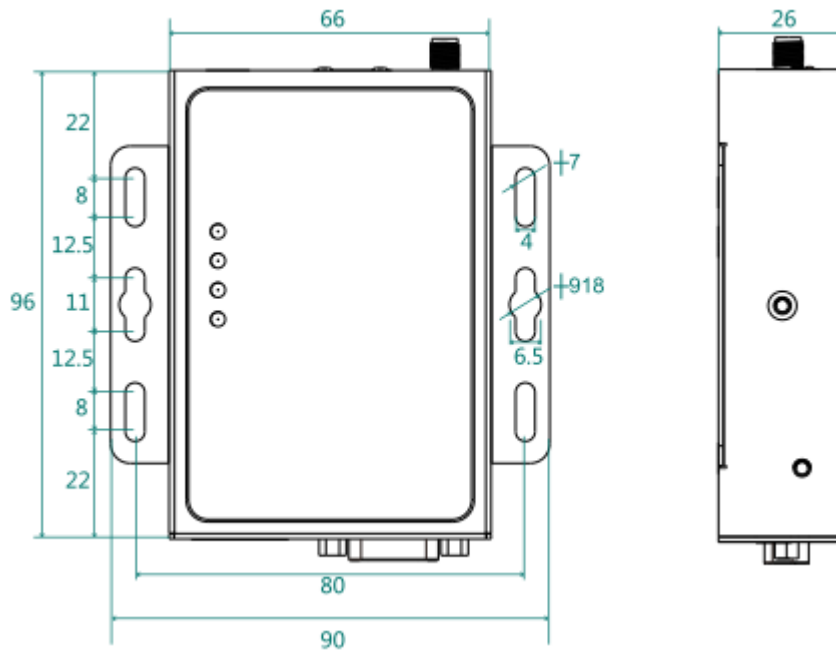
- Support RS-232/485/422 to Wi-Fi/Ethernet data transmission, serial rate up to 230400bps
- Support 802.11 b/g/n standard
- Support LED status monitoring (display power, Run, Link, TX/RX)
- Support one-click restart and restore export settings
- External independent hardware watchdog design prevents crashes
- Support wireless operation AP/Client/AP+Client mode
- Support TCP/UDP/Modbus TCP protocol
- Support IP-MAC binding, static routing, PPPoE, DHCP, static IP and AUTO-IP functions
- Supports access device display, static routing, port forwarding, network diagnosis, access control
- Support NTP network automatic time adjustment
- Support WAN/LAN mode switching
- Support SNMP protocol and SNMP Trap report, email alert
- Support web login and upgrade mirror
- Support local system log, remote log, local log save regularly, etc.

Product specifications

Model		Mport3101-W
Power Supply	Operating Voltage	9~36V
Network Port	Network Port	10/100Mbps; RJ45 interface; adaptive MDI/MDIX cross-connect and auto-flip
	Isolation Protection	1.5KV
Serial Port	Serial Ports	1*RS-232/RS-485/RS422
	Baud rate	300~230400bps
	Data bit	7, 8
	Stop bit	1, 2
	validation modes	none, odd parity, even parity
EMC	Power Supply	Anti-static, Surge protection
	Network/Serial port	Anti-static, Surge protection
Other	Size(L*W*H)	96x90x26(mm)
	Working Environment	-40℃~+70℃, 5%~95% RH (no condensation)
	Storage Temperature	-40℃~+85℃, 5%~95% RH (no condensation)
Wi-Fi parameters	Wireless standard	Support 802.11b/g/n
	Antenna	1
	Antenna connection	SMA connector(outer screw inner hole)
	Wi-Fi network mode	AP/Client /AP+Client
	Security Agreement	Support multiple encryption methods such as WEP, WPAPSK, WPA2PSK, etc .
Wireless parameters	Freq.	2412MHz--2484MHz
	Transmit power	IEEE 802.11n : 15-18dBm @HT20/40 MCS7
		IEEE 802.11g : 15-18dBm @54MHz
		IEEE 802.11b : 17-19dBm @11MHz

	Receiving sensitivity	Ht40 MCS7 : -69dBm@10% PER(MCS7)
		Ht20 MCS7 : -71dBm@10% PER(MCS7)
		11M: -90dBm@ 8% PER
		54M: -76dBm@10% PER
Software Parameters	Network protocol	IP、TCP、UDP、DNS、ARP、SNMP、SSH、TELNET、FTP、ICMP、HTTP、DHCP CLIENT、NTP、MODBUS TCP、UPNP
	IP	Static IP/DHCP/PPPoE/ AUTO-IP
	DNS	Support
	User Configuration	Web configuration
	Simple Transparent Transmission Method	TCP Server/TCP Client/UDP Client/UDP Multicast/RealCOM/Pair Connection
	Modbus	Modbus RTU/ASCII to Modbus TCP
	Serial port packaging mechanism	Time and length can be set; the default value changes according to the bit rate; the maximum packing length is 4kbytes.
	TCP Server Connection	Support up to 32 TCP connections
	Network Cache	Send: 16Kbyte; Receive: 64Kbyte;
	Serial Buffer	Send: 4Kbyte; Receive: 4Kbyte;
	Flow Control	Auto Flow Control
	Heartbeat Package	TCP Keepalive
	Registration package	Custom registration package
	RFC2217	Support
	Httpd Client	Support
	RealCOM	Supports working modes such as Maiwe, Moxa, Kanghai, etc.
	Average Transmission Delay	<10ms
	Log function	Support storage system, program operation log and log export
Supporting Software	Network Configuration Tool, VirtualCOM, MWView, MaxView	

Dimensional drawing



Ordering information

Mport3101-W	1 RS232/RS485/422 serial to WiFi/Ethernet networking server, DC9 ~ 36V wide voltage input
-------------	---